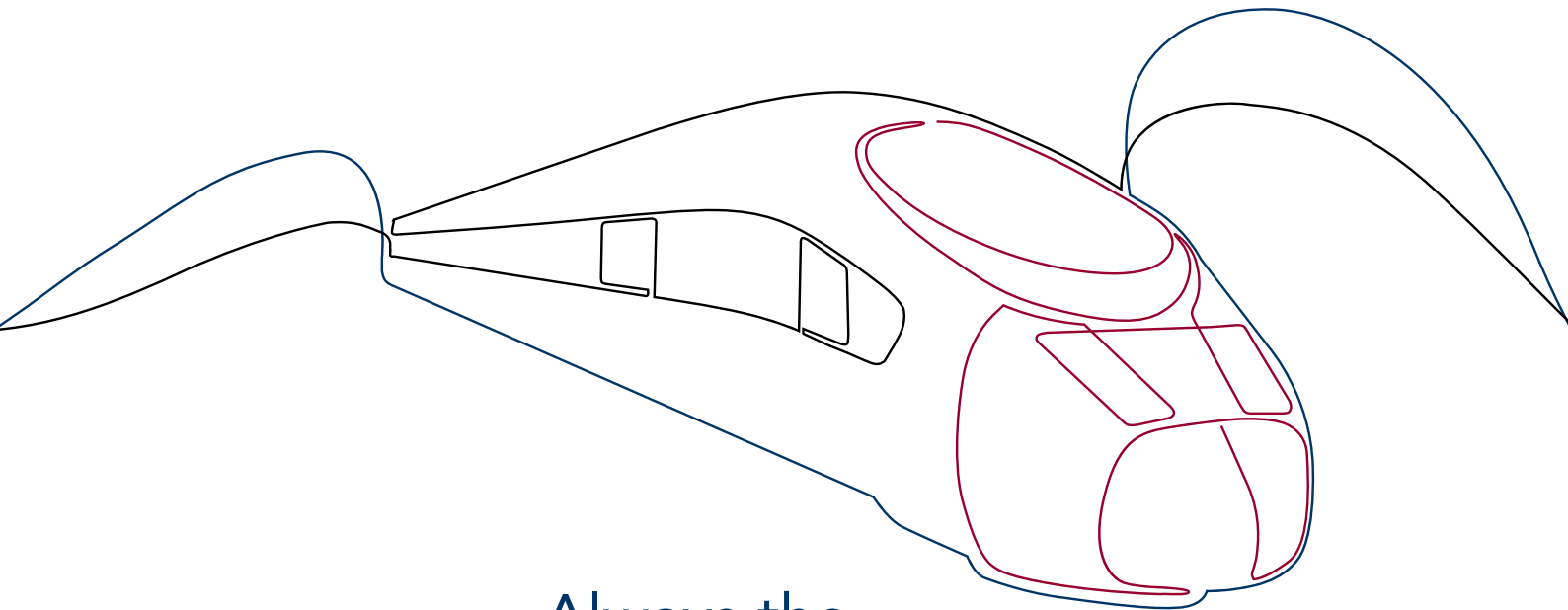


UIC 558



Always the
right connection



Quality Standard: All products are subject to an extensive quality test in the final inspection phase. Of course, we are certified according to current industry-specific standards.

UIC 558 CONNECTORS



PRODUCT INFO

The rail connector is used in international traffic for all types of rail vehicles, including traction units.

The robust connector systems comply with IRS 50558 / UIC 558 VE (up to 1994: UIC 568 VE) and meet the fire protection guideline EN 45545-2 HL3.

The receptacle and the plug can be assembled with a UIC-compliant cable on request.

APPLICATION AREAS

- For remote control of lighting, door control, transmission of acoustic information and binary data
- New vehicles
- Refurbishments of rail vehicles
- For use with spare parts requirements

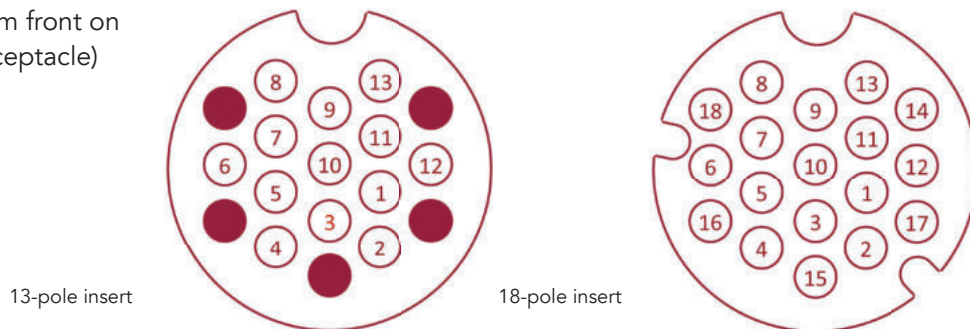
FEATURES

- Standard variants: 13-pin and 18-pin plug-in connections. The 18-pin receptacle is plug compatible with the 13-pin plug
- Coding is available
- Current transmission of max. 10 A
- Protection against dust and moisture according to protection class IP66
- Protection in the event of unintentional uncoupling
- Short maintenance times with exchangeable insert (optional)
- Avoidance of operating errors due to optional magnetic lock (receptacle cover closes regardless of the opening angle)

UIC 558 TECHNICAL DATA

Pole diagram and connection scheme

Direction of view from front on receptacle insert (receptacle)



SPECIFICATIONS

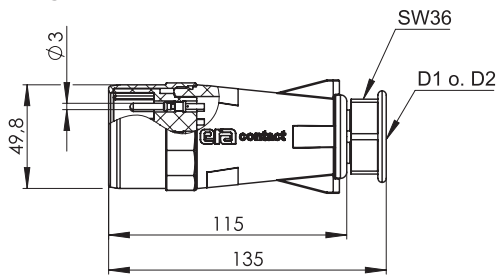
DESCRIPTION

VALUES & DATA

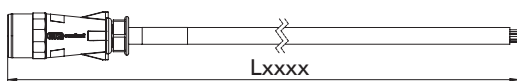
Standards	Type	UIC 558 VE (VE = Mandatory/Recommended) IRS 50558
Fire protection	Protection class (EN 60529) EN 45545-2 HL3	IP66: receptacle closed/plugged in
Connection type	Number of poles Connection cross section Connection to female contact Connection to male contact	13-pole / 18-pole 0.75 ... 1.00 mm ² Crimp Crimp
Electrical characteristics	Rated voltage Rated current Contact resistance Insulation resistance	60 V 10 A < 2 mΩ > 10 GΩ
Mechanical characteristics	Contact diameter Mechanical life	3 mm > 10,000 plugging cycles
Operating conditions	Operating temperature range	-40°C ... +90°C
Materials	Housing plug Housing receptacle Contact block Seal in housing Contacts	Thermoplastic, glass fiber reinforced Cast aluminum Thermoplastic, glass fiber reinforced Silicone elastomer, EPDM Wrought copper alloy, nickel plated
Weights	Plug (without cable) Receptacle Receptacle with exchangeable insert and magnetic lock Dummy receptacle	approx. 0.2 kg approx. 0.7 kg approx. 0.8 kg approx. 0.6 kg

UIC 558 PLUG (S), CONNECTOR CABLE (AS) & JUMPER CABLE (VS)

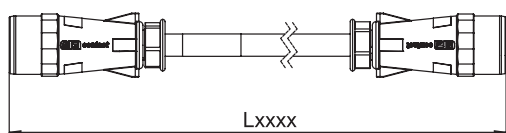
Plug: UIC558-S



Connector cable: UIC558-AS-Lxxxx



Jumper cable: UIC558-VS-Lxxxx



Product info

Our plugs are equipped with high quality components for signal and power transmission. This product is designed for remote control and information cables, thus it meets high functionality and safety requirements on a permanent basis.



UIC 558 plug: Red color markings for 18-pole version

Order options and key

Example:

UIC 558 connector cable, plug one-sided, 18-pole with a total length of 1.5 m for cable diameter 16.5 to 18.5mm.

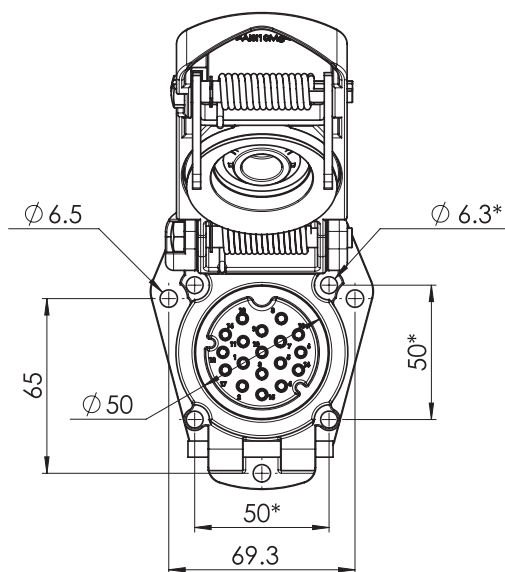
UIC558-AS-L1500-P18-D2

Type	UIC558	According to UIC 558 VE	_____
Version	S	Plug (without cable)	_____
	AS	Connector cable with 1 plug	_____
	VS	Jumper cable with 2 plugs	_____
Total length	Lxxxx	Length in mm, (Standard and desired lengths on request)	_____
Number of poles	P18	18 male contacts	_____
	P13	13 male contacts	_____
Cable gland	D2	For cable diameter 16.5 to 18.5 mm (for 18-pole variant)	_____
	D1	For cable diameter 12.5 to 15.5 mm (for 13-pole variant)	_____

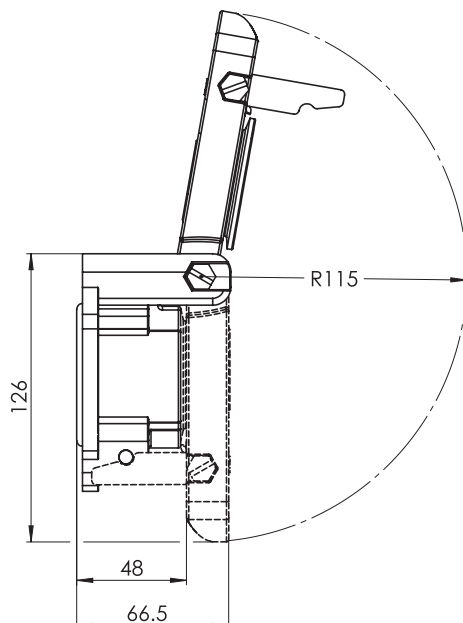
UIC 558 RECEPTACLE (KDO), DUMMY RECEPTACLE (BDO)

Receptacle: UIC558-KDO

(Identical in construction to KDK, BDO, LDO)



*Mounting option with alternative hole pattern



Product info

With its robust construction, our receptacle housing has increased resistance to chemical influences. This ensures long-term use under harsh conditions.

Receptacle (KDO) is equipped with 18 female contacts.

The dummy receptacle (BDO) is used to accommodate non-coupled plugs. The dummy receptacle contains only a contact block without female contacts.

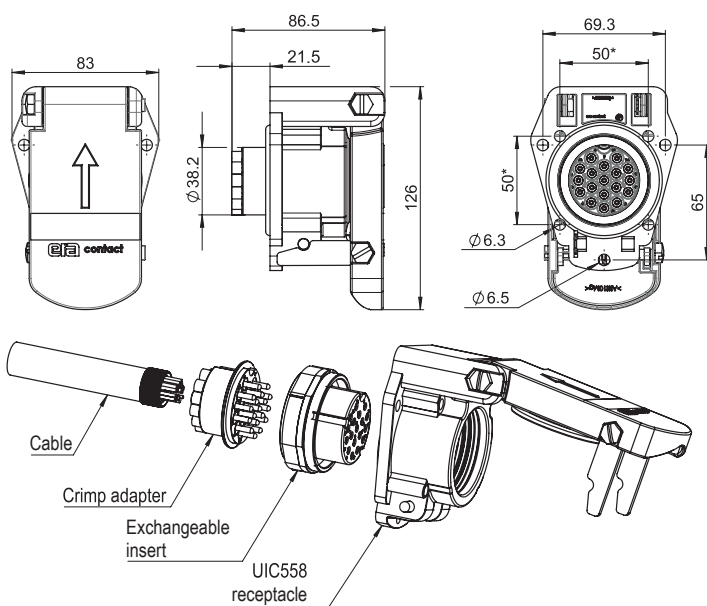


UIC 558 receptacle: Red color marking on the cover for 18-pole version.

UIC 558 OPTIONS RECEPTACLE

Option exchangeable insert (WE)

Receptacle: UIC558-KDO-WE1



* Dimensions in mm

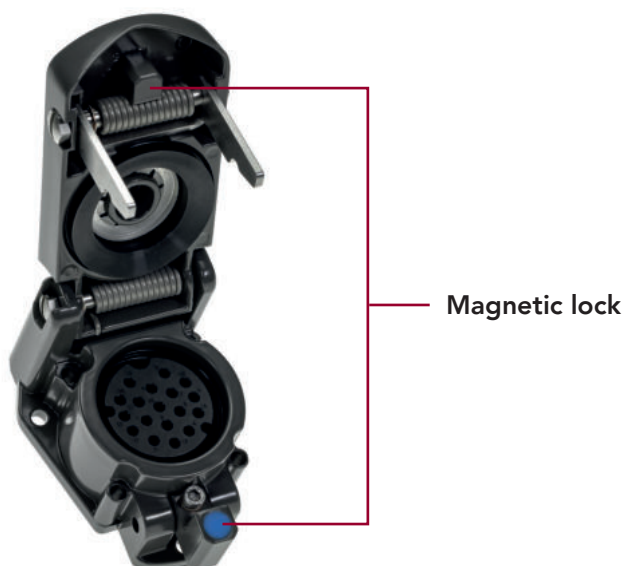
Product info

Our receptacle with exchangeable insert (WE) considerably reduces the effort required for maintenance work. All that is required is to replace the exchangeable insert on site. There is no need for rewiring, crimping or electrical tests.



UIC 558 receptacle with exchangeable insert

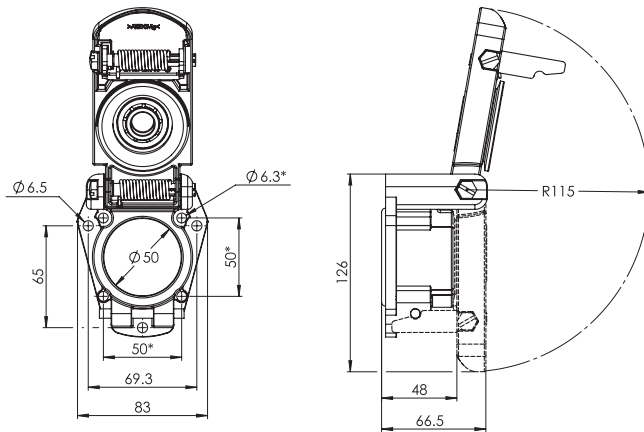
Option magnetic lock (MV)



Our UIC 558 receptacles (KDO and BDO) are available with (MV1) and without magnetic lock (MV0). No matter from which angle or with which force the cover is actuated, the magnetic lock ensures absolute closure and thus the tightness of the receptacle in the unplugged state.

UIC 558 BASIC RECEPTACLE (LDO) WITH ASSEMBLED CABLE HARNESSSES (CA / KT)

Basic receptacle: UIC558-LDO
(Identical in construction to KDO)



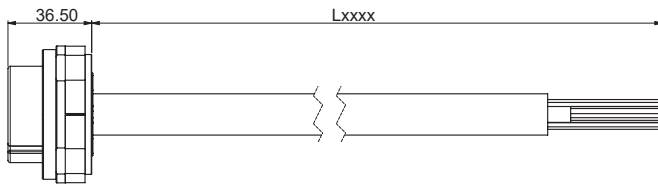
*Mounting option with alternative hole pattern

Product info

For the standard version of the receptacle with pre-assembled cabling, please select the basic receptacle (LDO) and additionally the cable with contact block (KT).

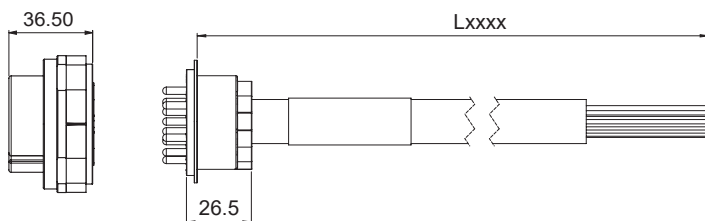
For the receptacle version with exchangeable insert, select the basic receptacle (LDO), the exchangeable insert (WE) and the pre-assembled crimp adapter (CA).

Contact block pre-assembled: UIC558-KT-Lxxxx-P18



Cable length in mm

Crimp adapter pre-assembled: UIC558-CA-Lxxxx-P18



Cable length in mm

You additionally need the exchangeable insert (WE).

Exchangeable insert (WE)

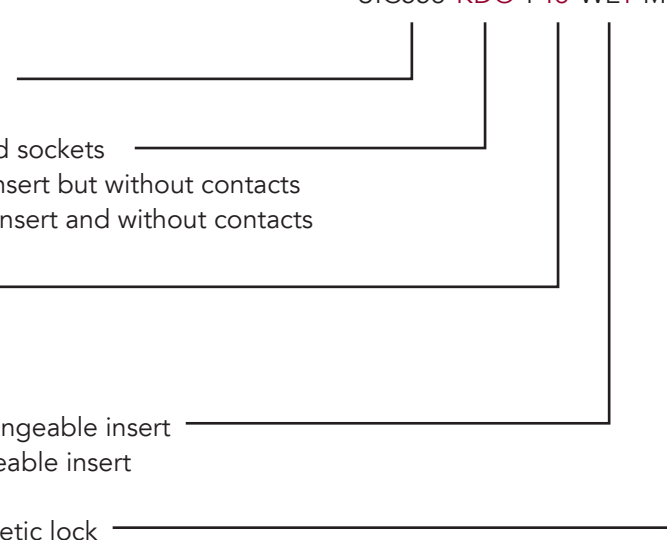
Crimp adapter with cable (CA)

UIC 558 RECEPTACLE (KDO), DUMMY RECEPTACLE (BDO) & BASIC RECEPTACLE (LDO)

Order options and key

Example:

UIC 558 receptacle with 18 contact pins, exchangeable insert and magnetic lock in RAL 7038 (Agate Gray)

			UIC558-KDO-P18-WE1-MV1
Type	UIC558	According to UIC 558 VE	
Version	KDO	Receptacle with insert and sockets	
	BDO	Dummy receptacle with insert but without contacts	
	LDO	Basic receptacle without insert and without contacts	
Contacts	P13	13 Pins and cable gland	
	P18	18 Pins and cable gland	
Exchangeable insert	WE0	Receptacle without exchangeable insert	
	WE1	Receptacle with exchangeable insert	
Magnetic lock	MV0	Receptacle without magnetic lock	
	MV1	Receptacle with magnetic lock	
Color options	RAL7038	Agate Gray (Other colors on request)	

Spare parts and accessories

DESIGNATION	DESCRIPTION	ARTICLE NO.
Contact pin incl. spring	Core cross sections: 0.75 mm ² to 1 mm ²	122033
Contact socket incl. spring	Core cross sections: 0.75 mm ² to 1 mm ²	122024
Exchangeable insert incl. contacts	For receptacle with exchangeable insert	072587
Double socket incl. spring	For receptacle with exchangeable insert	122152
Contact ejector	Disassembly tool	134462
DMC FT8	Crimping tool	072674



MORE BENEFITS FOR YOU:

- Punctuality
- Consistently high quality all over the world
- Comprehensive service wherever you are in the world
- Years of expertise for your product
- International presence
- On-site engineering service – from prototyping to after-sales
- Original manufacturer
- A team just for you

A company of



www.aichele-group.com
www.era-contact.com
www.streicherplast.de

era-contact GmbH Germany
Gewerbestrasse 44
75015 Bretten-Gölshausen
Deutschland / Germany
Phone +49 (0)72 52 - 971 0
info.germany@era-contact.de

era-contact Tunisia S.A.R.L.
Hriza
7026 El Azib, Bizerte
Tunesien / Tunisia
Phone +216 72 - 45 10 10
info.tunisia@era-contact.de

era-contact USA, LLC
1475 Smith Grove Road
Liberty, SC 29657
USA
Phone +1 (864) 777-6060
info.usa@era-contact.com

era-contact GmbH Germany
Einsteinstraße 1
71083 Herrenberg
Deutschland / Germany
Phone +49 (0)72 52 - 971 0
info.germany@era-contact.de

era-contact (Suzhou) Co., Ltd.
Building P,
No. 9 Chang Yang Street,
Suzhou Industrial Park
Jiangsu, 215024, P.R. China
Phone +86 512 - 6299 1800
info.china@era-ct.com

era-contact Turkey
San. ve Tic. Ltd. Şti.
Çerkeşli OSB Mah.
İmes 9. Cad. No:31
41455 Dilovası/Kocaeli
Türkei / Turkey
Phone +90 532 504 38 09
info.turkey@era-contact.com.tr

streicherplast
GmbH + Co. KG
Friedhofstrasse 4
78588 Denkingen
Deutschland / Germany
Phone +49 (0)74 24 98 17-0
info@streicherplast.de