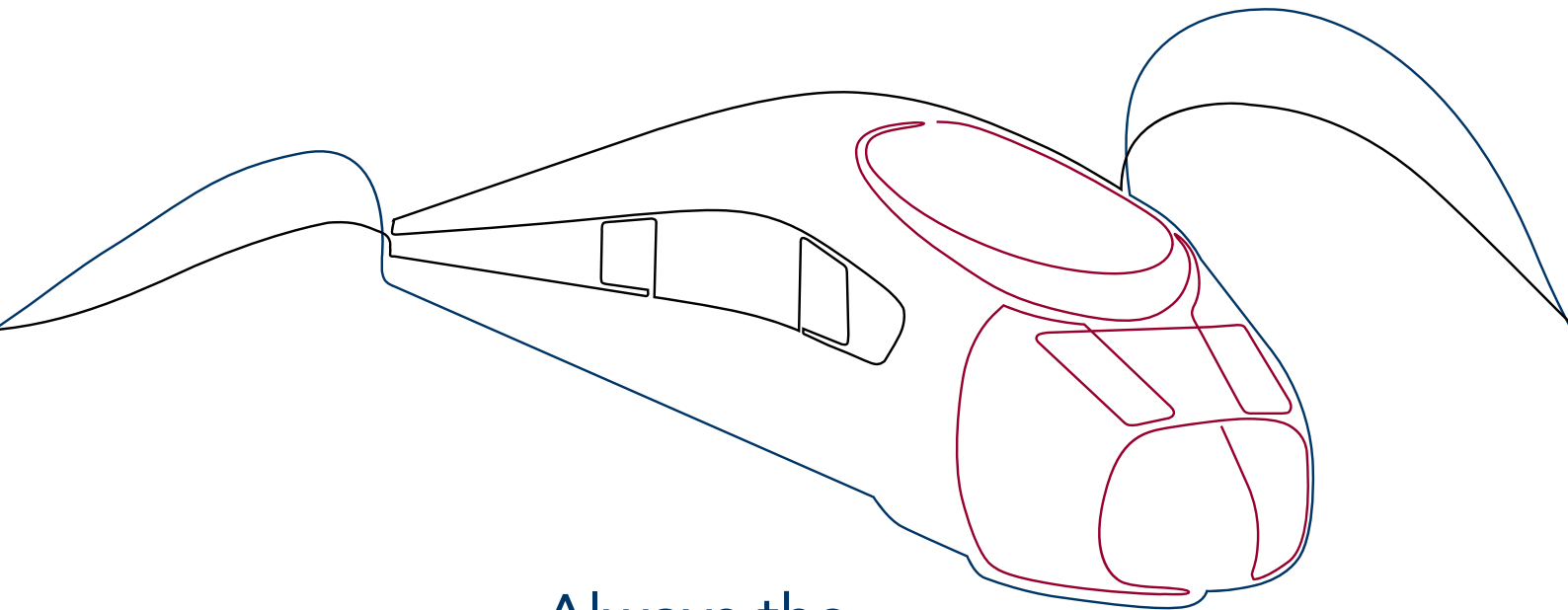


UIC IT



Always the
right connection



Quality Standard: All products are subject to an extensive quality test in the final inspection phase. Of course, we are certified according to current industry-specific standards.

UIC IT Connectors



PRODUCT INFO

The rail connector is used in international traffic for all types of rail vehicles, including traction units.

UIC IT is a standard-compliant series according to IRS 50558 with 16 signal contacts and 8-pin Gigabit module.

Optional variants:

Receptacle (KDO), dummy receptacle (BDO) and basic receptacle (LDO) with magnetic lock

APPLICATION AREAS

- High-speed Ethernet solution that can be used across operators for all rail vehicles
- Robust and economical solution for universal use of data communication
- Since the UIC IT receptacle and plug are identical in construction to the UIC 558 receptacle and plug, it can be installed in existing receptacles or plugs of the UIC 558 series as an upgrade, or it can additionally supplement them.
- The dimensions correspond to the UIC-558 VE series

FEATURES

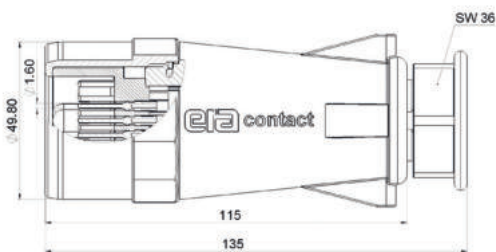
- The UIC IT enables data transmission for infotainment and entertainment applications at up to 10 GBit/s via a corresponding module (4x 2 contacts).
- Ensuring network availability in the rail sector

UIC IT TECHNICAL DATA

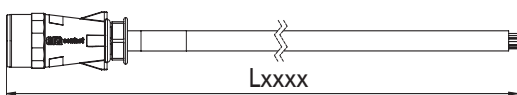
SPECIFICATION	DESCRIPTION	VALUES & DATA	
Standards	Type Protection class Fire protection	UIC IT according to IRS 50558 IP 66 according to EN 60529 EN 45545-2 HL3	
Connection type	Number of poles	24-pole (16 + 8)	8-pole
	Connection cross section	(16x) 0.75 - 1.00 mm ² (8x) AWG 24	(8x) AWG 24
	Connection to female contact	Crimp	Crimp
	Connection to male contact	Crimp	Crimp
Gigabit module	Number of contacts	8 (4x2)	
	Data transmission rate	up to 10 GBit/s with Cat 6 _A	
	Category	Class F _A up to 600 MHz	
	Rated current per contact	5 A	
	Rated voltage	50 V	
	Rated impuls withstand voltage	800 V	
	Pollution degree	3	
Signal contacts	Number of contacts	16	—
	Rated current per contact	10 A	—
	Nominal voltage	80 V	—
	Rated impuls withstand voltage	800 V	—
	Pollution degree	3	—
Electrical characteristics	Contact resistance	Signal contacts ≤ 4 mΩ	Gigabit ≤ 10 mΩ
	Insulation resistance	> 100 MΩ	> 100 MΩ
Mechanical characteristics	Contact diameter	1.6 mm	1.04 mm
	Mechanical life/mechanical life/ plugging cycles	> 10,000	> 10,000
Operating conditions	Temperature range	-40°C ... +85°C	-40°C ... +85°C
Materials	Housing plug	Thermoplastic, glass fiber reinforced	
	Housing receptacle	Cast aluminium	
	Contact block	Thermoplastic, glass fiber reinforced	
	Sealing parts	Elastomers, silicones	
	Contact material	Copper alloy, coated	
	Contact surface:		
Signal contacts		Gold	
Gigabit module		Gold	
Weights	Plug (without cable)	approx. 0.2 kg	
	Receptacle	approx. 0.7 kg	
	Receptacle with magnetic lock	approx. 0.8 kg	
	Dummy receptacle	approx. 0.6 kg	

UIC IT PLUG (S), CONNECTOR CABLE (AS) & JUMPER CABLE (VS)

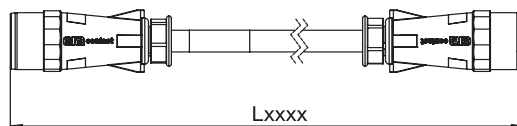
Plug: UIC IT



Connector cable: UICIT-AS- Lxxxx

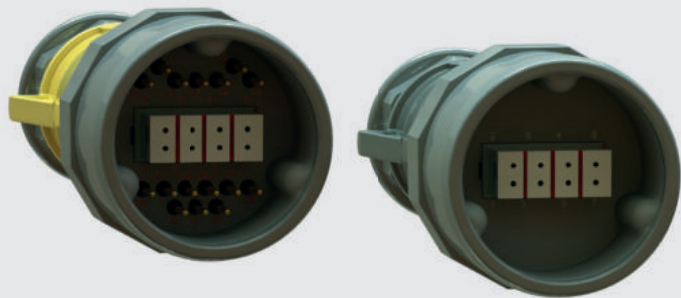


Jumper cable: UICIT-VS-Lxxxx



Product info

Our plugs are equipped with high-quality components for data transmission, which means that they permanently meet the high functionality and safety requirements in rail transportation



Variant 24-pole (16 + 8)
Plug housing, sulfur yellow
RAL 1016 (standard)

Variant 8-pole
Plug housing, black with
yellow-green stripe RAL 6018
(standard)

Order options and key

Example:

UIC IT connector cable with plug, 24-pin with a total length of 1.5 m.

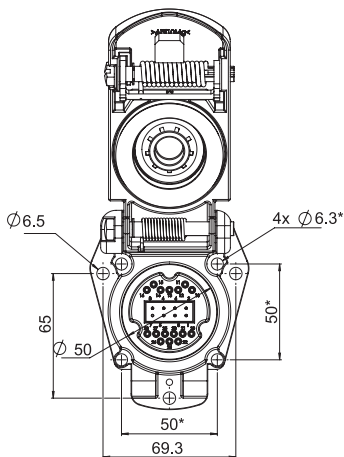
UICIT-AS-L1500-P24

Type	UICIT	
Version	S	Plug (without cable)
	AS	Connector cable with 1 plug
	VS	Jumper cable with 2 plugs
Total length	Lxxxx	Length in mm (Standard and desired lengths on request)
Number of poles	P24	16 male contacts (signal) + 4x 2 female contacts (Gigabit Ethernet)
	P8	4x 2 female contacts (Gigabit Ethernet)

UIC IT RECEPTACLE (KDO), DUMMY RECEPTACLE (BDO)

Receptacle: UICIT-KDO (Identical in construction with BDO, LDO)

* Mounting option with alternative hole pattern



Product info

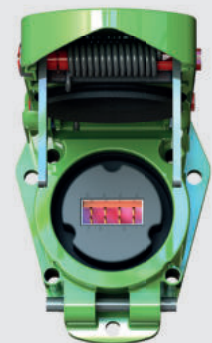
Our receptacle housing with its robust design offers increased resistance to mechanical, thermal and chemical influences. This ensures long-term use under harsh conditions.

Receptacle (KDO) equipped with 16 female contacts (signal) and 4x 2 male contacts (Gigabit Ethernet module).

The dummy receptacle (BDO) is used to hold non-coupled plugs. The dummy receptacle only contains a contact block without contacts.



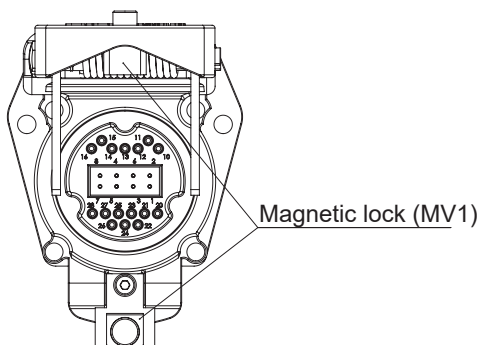
Variant 24-pole (16 + 8)
Receptacle housing,
Sulfur Yellow RAL 1016



Variant 8-pole
Receptacle housing,
Yellow Green RAL 6018

Option magnetic lock (MV)

Receptacle with magnetic lock: UICIT-KDO-MV1

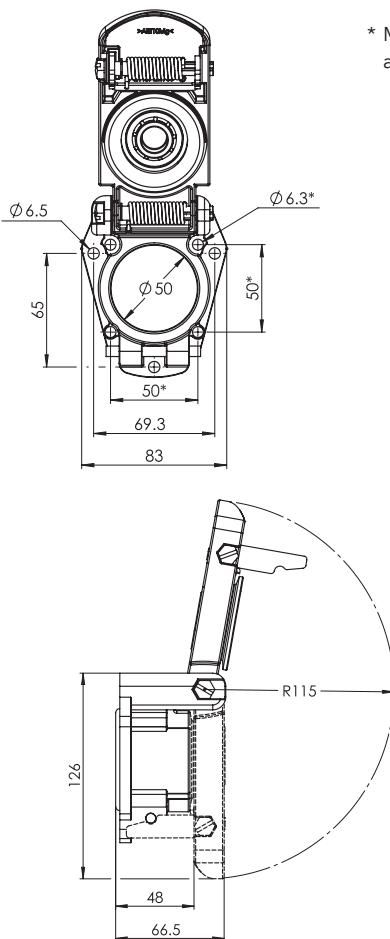


Our UIC IT receptacle is available with (MV1) and without magnetic lock (MV0). No matter from which angle or with which force the cover is actuated, the magnetic lock ensures absolute closure and thus the tightness of the receptacle in the unplugged state.

UIC IT BASIC RECEPTACLE (LDO) WITH ASSEMBLED CABLE HARNESS (KT)

Basic receptacle: UICIT-LDO
(Identical in construction with (KDO))

* Mounting option with alternative hole pattern

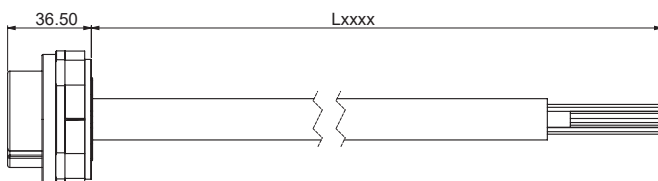


Product info

For the standard version of the receptacle with pre-assembled cabling, please select the basic receptacle (LDO) and additionally the cable with contact block (KT).

Contact block pre-assembled: UICIT-KT-Lxxxx-P18

Specify cable length in mm



UIC IT RECEPTACLE (KDO), DUMMY RECEPTACLE (BDO) & BASIC RECEPTACLE (LDO)

Order options and key

Example:

UIC IT receptacle with 16 female contacts (signal) and 4x 2 male contacts (Gigabit Ethernet module) and magnetic lock, in color RAL 1016 (Sulfur Yellow)

UICIT-KDO-P24-MV1

Type	UICIT	
Product	KDO	Receptacle equipped with insert
	BDO	Dummy receptacle with insert but without contacts
	LDO	Receptacle without insert and without contacts
Contacts	P24	16 female contacts (signal) and 4x 2 male contacts (Gigabit Ethernet module)
	P8	4x 2 male contacts (Gigabit Ethernet module)
Magnetic lock	MV0	Receptacle without magnetic lock
	MV1	Receptacle with magnetic lock
Color options	RAL1016	Sulfur Yellow (for 24-pin)
	RAL6018	Yellow Green (for 8-pin) (Other contacts on request)

Spare parts and accessories

DESIGNATION	DESCRIPTION	ARTICLE NO.
Male contact	for plug 24 pole, wire cross section: 1 mm ²	130480
Female contact	for receptacle 24-pin, wire cross-section: 1 mm ²	130482
Gigabit Ethernet module incl. male contacts (4x 2)	for receptacle, wire cross-section: 0.2 mm ²	131044
Gigabit Ethernet module incl. female contacts (4x 2)	for plug, wire cross-section: 0.2 mm ²	131045
Contact ejector	Disassembly tool	072588
DMC FT8	Crimping tool	072674



MORE BENEFITS FOR YOU:

- Punctuality
- Consistently high quality all over the world
- Comprehensive service wherever you are in the world
- Years of expertise for your product
- International presence
- On-site engineering service – from prototyping to after-sales
- Original manufacturer
- A team just for you



A company of



www.aichele-group.com
www.era-contact.com
www.streicherplast.de

era-contact GmbH Germany
Gewerbestrasse 44
75015 Bretten-Gölshausen
Deutschland / Germany
Phone +49 (0)72 52 - 971 0
info.germany@era-contact.de

era-contact Tunisia S.A.R.L.
Hriza
7026 El Azib, Bizerte
Tunesien / Tunisia
Phone +216 72 - 45 10 10
info.tunisia@era-contact.de

era-contact USA, LLC
1475 Smith Grove Road
Liberty, SC 29657
USA
Phone +1 (864) 777-6060
info.usa@era-contact.com

era-contact GmbH Germany
Einsteinstraße 1
71083 Herrenberg
Deutschland / Germany
Phone +49 (0)72 52 - 971 0
info.germany@era-contact.de

era-contact (Suzhou) Co., Ltd.
Building P,
No. 9 Chang Yang Street,
Suzhou Industrial Park
Jiangsu, 215024, P.R. China
Phone +86 512 - 6299 1800
info.china@era-ct.com

era-contact Turkey
San. ve Tic. Ltd. Şti.
Çerkeşli OSB Mah.
İmes 9. Cad. No:31
41455 Dilovası/Kocaeli
Türkei / Turkey
Phone +90 532 504 38 09
info.turkey@era-contact.com.tr

streicherplast
GmbH + Co. KG
Friedhofstrasse 4
78588 Denkingen
Deutschland / Germany
Phone +49 (0)74 24 98 17-0
info@streicherplast.de